

# WARRIOR SPI

## LED Heavy Industrial Mid Power Floodlight




### Power / Performance

High lumen output up to 15,000 lumens, designed to directly replace traditional discharge light sources up to 250W SON.



### Robust and Durable

Robust and durable construction from marine grade aluminium and with a wide operating temperature for even the most challenging conditions.



### Easy Maintenance

Featuring a unique modular design, key components are easily accessible for straightforward maintenance and inspection.



### Multiple Beam Angles

Available with a range of beam patterns to effectively light up large open areas such as service yards. The use of secondary optics means no loss of output on wider angles.

## 5 YEAR WARRANTY

All Raytec luminaires are provided with an industry leading 5 year warranty and have an expected useful life in excess of 10 years. See Warranty Statement for details.

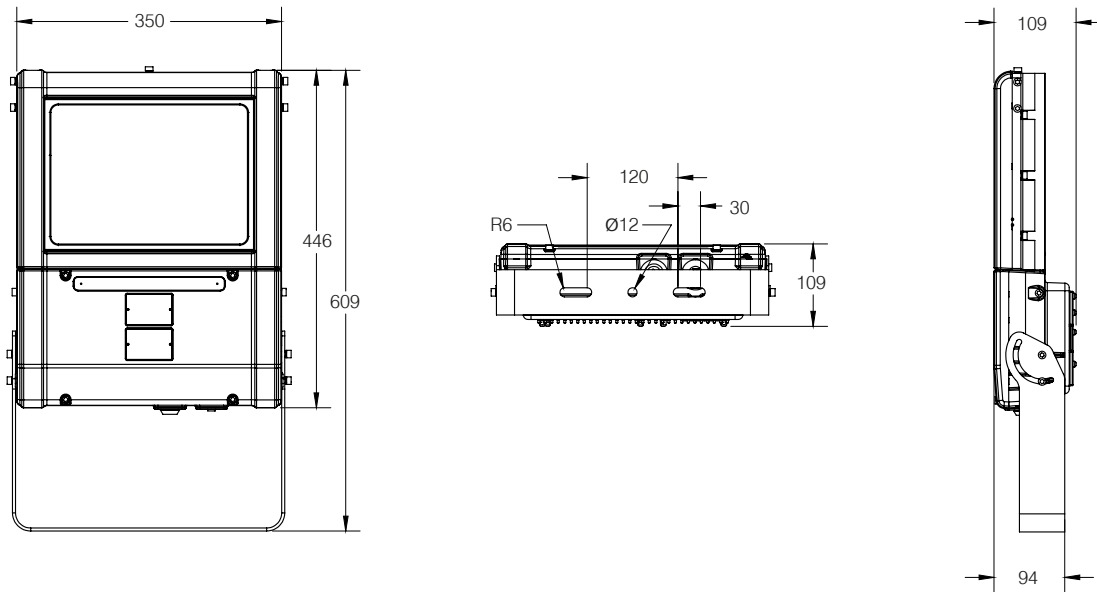
# Technical Specifications

| Electrical        | 5K   | 7.5K  | 10K   | 12.5K | 15K   |
|-------------------|--|-------|-------|-------|-------|
| Input             | 150-264V 50/60Hz AC/DC<br>110V variant available - please contact Raytec                             |       |       |       |       |
| Power             | 40W  | 60W   | 80W   | 100W  | 120W  |
| Termination       | Incoming terminal block suitable for looping 4 core 4mm <sup>2</sup> cable                           |       |       |       |       |
| Power Factor      | >0.95  | >0.95 | >0.95 | >0.95 | >0.95 |
| Dimming Interface | DALI 2   |       |       |       |       |
| Cable Entries     | 2xM20 as standard (other entries available upon request), dispatched complete with one blanking plug |       |       |       |       |

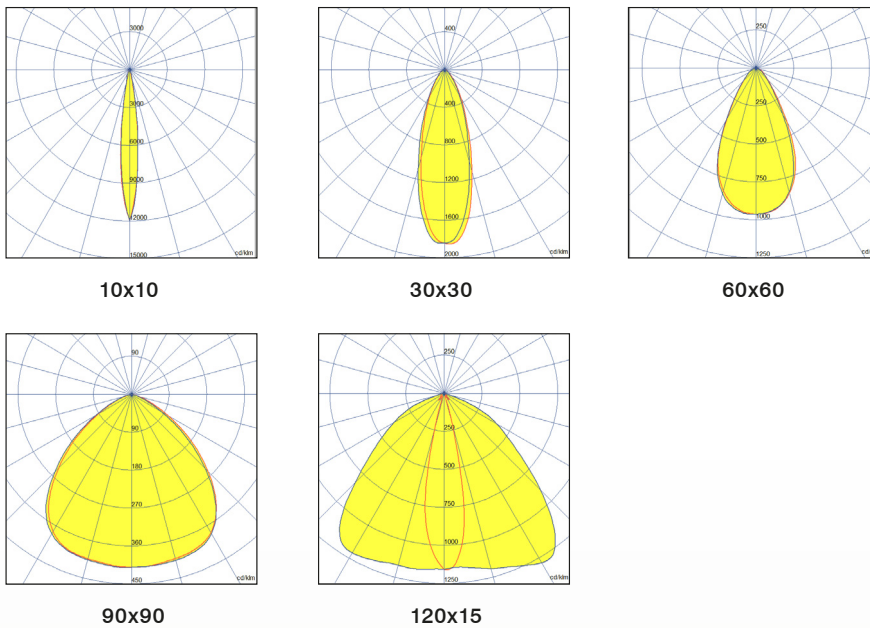
| Optical             | 5K   | 7.5K                    | 10K                     | 12.5K                   | 15K                     |
|---------------------|--|-------------------------|-------------------------|-------------------------|-------------------------|
| Beam Patterns       | 30° x 30° or 60° x 60° or 90° x 90° or 120° x 15° or 10° x 10° |                         |                         |                         |                         |
| Lumen Output (upto) | 5,149lm  | 7,663lm                 | 10,298lm                | 12,873lm                | 15,325lm                |
| LED Type            | Platinum Elite SMT LEDs  | Platinum Elite SMT LEDs | Platinum Elite SMT LEDs | Platinum Elite SMT LEDs | Platinum Elite SMT LEDs |
| Number of LEDs      | 24   | 24                      | 48                      | 48                      | 48                      |
| CRI                 | 70+  | 70+                     | 70+                     | 70+                     | 70+                     |
| Colour Temperature  | 5,700K   | 5,700K                  | 5,700K                  | 5,700K                  | 5,700K                  |

| Mechanical                | 5K  | 7.5K             | 10K              | 12.5K            | 15K              |
|---------------------------|---|------------------|------------------|------------------|------------------|
| Burning Position          | Universal   | Universal        | Universal        | Universal        | Universal        |
| IP Rating                 | IP66 & IP67   | IP66 & IP67      | IP66 & IP67      | IP66 & IP67      | IP66 & IP67      |
| Temperature Range         | -40°C to +60°C  | -40°C to +60°C   | -40°C to +60°C   | -40°C to +60°C   | -40°C to +60°C   |
| Weight                    | 13.2kg (29.1lbs)  | 13.2kg (29.1lbs) | 13.2kg (29.1lbs) | 13.2kg (29.1lbs) | 13.2kg (29.1lbs) |
| Enclosure                 | Marine grade aluminium epoxy powder coated, toughened glass, all external fasteners and brackets are marine grade stainless steel |                  |                  |                  |                  |
| Unit Colour               | Silver RAL 9006   |                  |                  |                  |                  |
| Installation Instructions | Please see document 1250-D-00006 at <a href="http://www.raytecltd.com">www.raytecltd.com</a>                                      |                  |                  |                  |                  |
| Dimensions                | 350mm x 609mm x 109mm (13.9 x 24 x 4.3")  |                  |                  |                  |                  |
| Mounting                  | Stirrup bracket (see dimension drawings on Page 3)  |                  |                  |                  |                  |

## Product Dimensions



## Beam patterns



## Part Code Builder

### WARRIOR Mid Power Flood

Example - SPI-MPFL15K-W-9090

| Family | Model    | Light Type     | Optics | Power                   | Entry            |
|--------|----------|----------------|--------|-------------------------|------------------|
| SPI    | MPFL5K   | W- White Light | 3030   | Not Stated - 150-264vac | Not Stated - M20 |
|        | MPFL7K5  |                | 6060   | 110 - 110V-277Vac       | M25              |
|        | MPFL10K  |                | 9090   |                         |                  |
|        | MPFL12K5 |                | 12015  |                         |                  |
|        | MPFL15K  |                | 1010   |                         |                  |