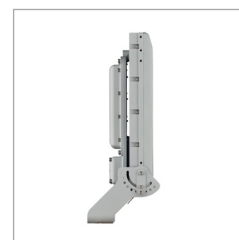


SPARTAN SPX LED Zone 1 High Power Floodlight

rayTEC®



Power and Performance

High lumen output up to 25,000 lumens and a range of beam patterns to effectively light up large open areas such as oil rigs.



Robust and Durable

Robust and durable construction from marine grade aluminium and with a wide operating temperature for even the most challenging conditions.



Retrofittable and Modular

Designed to directly replace traditional discharge light sources up to 400W SON. The modular design allows easy access to key components and the ability to mount the PSU remotely (contact Raytec for details).



Controllable

DALI 2.0 Dimmable as standard for precise and flexible control of lighting assets.

5 YEAR WARRANTY

All Raytec luminaires are provided with an industry leading 5 year warranty and have an expected useful life in excess of 10 years. See Warranty Statement for details.

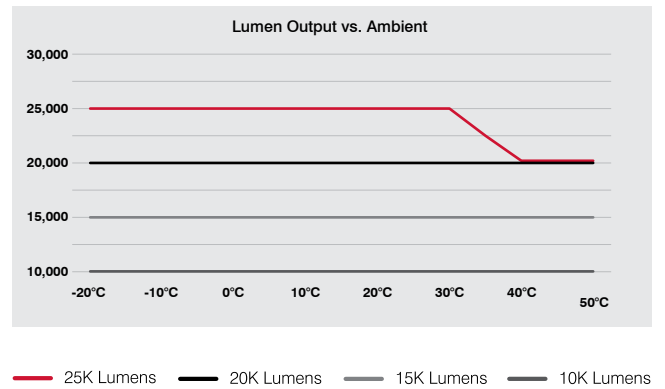


Technical Specifications

Certification

ATEX Rating	ATEX, UKEX and IEC Ex rated for Gas and Dust
Hazardous Area Rating	Zone 1 (Gas), Zone 21(Dust)
Certificates	Zone 1/21 Version CML17ATEX1148 and IECEx CML 17.0074 and CML21UKEX1102 Zone 21 Only Version CML 18ATEX3161 and IECEx CML 18.0087 and CML21UKEX3107
Gas	Gas Group IIB version II 2 G D Ex db eb mb IIB T4 Gb Gas Group IIB + H2 version II 2 G D Ex db eb mb IIB+H2 T4 Gb Ta = -50°C to + 50°C
Dust (Zone 1/21 version and Zone 21 only version)	Ex tb IIIC T104°C Db Ta=-50°C to +50°C
ABS Certificate #	ABS Certificate # 20-1990083-PDA

Automatic Thermal Cutback Feature



Electrical

	10K	15K	20K	25K
Input	150-264V 50/60Hz AC/DC 110V variant available - please contact Raytec			
Power	120W	180W	240W	300W
Termination	Incoming terminal block suitable for looping 3 core 4mm ² cable			
Power Factor	>0.95	>0.95	>0.95	>0.95
Cable Entries	2xM20 as standard (other entries available upon request), dispatched complete with one ATEX/IEC Ex approved blanking plug			

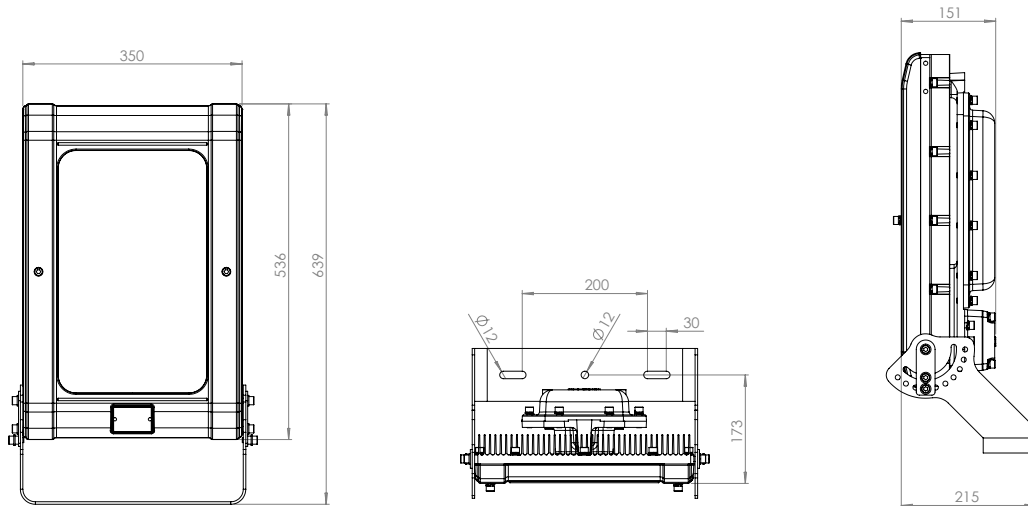
Optical

	10K	15K	20K	25K
Beam Patterns	30° x 30° or 60° x 60° or 90° x 90°			
Lumen Output	10,000lm	15,000lm	20,000lm	25,000lm
LED Type	Platinum Elite SMT LEDs			
Number of LEDs	12	24	24	24
CRI	70+	70+	70+	70+
Colour Temperature	5,700K	5,700K	5,700K	5,700K
Automatic Thermal Cutback Feature	Refer to the graph above			

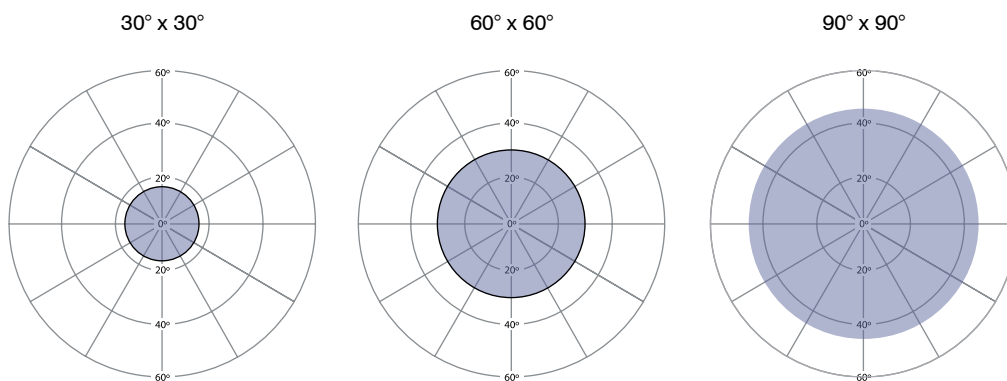
Mechanical

	10K	15K	20K	25K
Burning Position	Universal			
IP Rating	IP66 & IP67	IP66 & IP67	IP66 & IP67	IP66 & IP67
Temperature Range	-50°C to +50°C	-50°C to +50°C	-50°C to +50°C	-50°C to +50°C
Weight	23.5kg (51.8lbs)	23.5kg (51.8lbs)	23.5kg (51.8lbs)	23.5kg (51.8lbs)
Enclosure	Marine grade aluminium epoxy powder coated, toughened glass, all external fasteners and brackets are marine grade stainless steel			
Unit Colour	Silver (RAL 9006)			
Installation Instructions	Please see document 1050-D-00006 at www.raytecltd.com			
Dimensions	639 x 350 x 215mm (25.2 x 13.8 x 8.5")			
Mounting	Stirrup bracket (see dimension drawings on Page 3)			

Product Dimensions



Beam patterns - Circular



Part Code Builder

SPARTAN High Power Flood

Example - SPX-HPFL15K-W-9090

Family	Model	Light Type	Optics	Variant	Power	Entry
SPX	HPFL10K	W- White Light	3030	NOT STATED - Standard IIB	Not Stated - 150-264ac	Not Stated - M20
SPZ (for Z21 version only)	HPFL15K		6060	H2 - IIB+H2	110 - 110V-277Vac	M25
	HPFL20K		9090	Z21 - (SPZ Only)		
	HPFL25K					