

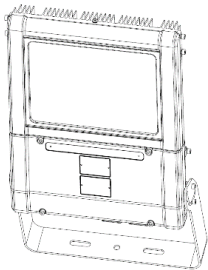
SPX/SPZ **SPARTAN**

Mid Power Luminaire Range - Installation Guide

Zone 1 and 21 Variant CML21ATEX3317 & IEC Ex CML21.0037 or CML21UKEX3319
Zone 2 and 22 Variant CML21ATEX3320 & IEC Ex CML21.0038 or CML21UKEX3321

This installation guide provides instructions for installing the SPARTAN MP Highbay/
Floodlight series of explosion protected floodlights.

Overview



- 1 Safety Instructions
- 2 Installation
- 3 Maintenance
- 4 Technical Specification
- 5 Trouble Shooting

Important information

The SPARTAN MP series of explosion protected floodlights/highbay are specialist devices, certified for use in specific operating environments.

The units must be installed in accordance with these instructions, must be correctly certified for the specific operating environment and must be installed by suitably qualified personnel.

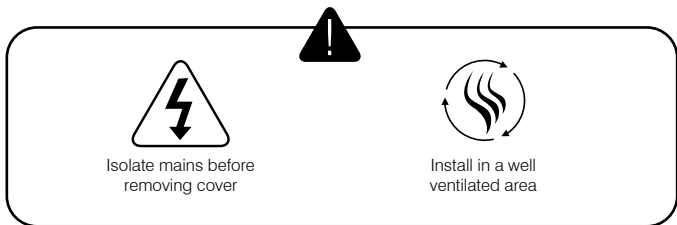
If you have any queries about the installation or the certification of the unit – please contact Raytec for immediate assistance and advice.

1. Safety instructions

1. Read this leaflet carefully before commencing to install the SPARTAN unit and retain it for future use. Installation can only be carried out by suitably qualified personnel.
2. Check the certification and "T" rating to ensure that the mains supply and the ambient temperature present is suitable for the unit being installed.
3. If the SPARTAN unit is to be installed in areas of high vibration, please consult with Raytec.
4. Externally the SPARTAN unit housing is constructed from marine grade aluminium, and toughened glass, stainless steel brackets/fasteners and silicone gaskets, internally there are many non metallic components. The end user must ensure that these materials are suitable for the environment the SPARTAN unit will be installed in; Zone 1 and Zone 2 Hazardous areas.
5. Check certification nameplate on front of floodlight to ascertain type of threaded cable entry on the luminaire. Select suitably certified ATEX/IEC Ex /UKEX cable glands and stopper plugs, these must be parallel thread, have a minimum of 5 full thread engagement and be of a medium/fine tolerance to ISO965-1 and ISO965-3. The cable entry devices selected must maintain the IP rating of the luminaire.
6. The incoming mains cable should not exceed a temperature rise of 27°C above the ambient conditions; select suitable cable.
7. When the unit is installed correctly and in accordance with these installation instructions it will not harm humans or animals.

Eye Safety :

Caution – EN62471 Risk Group 2 Classification - The luminaire should be positioned so that prolonged staring into the luminaire at a distance closer than 0.230m is not expected

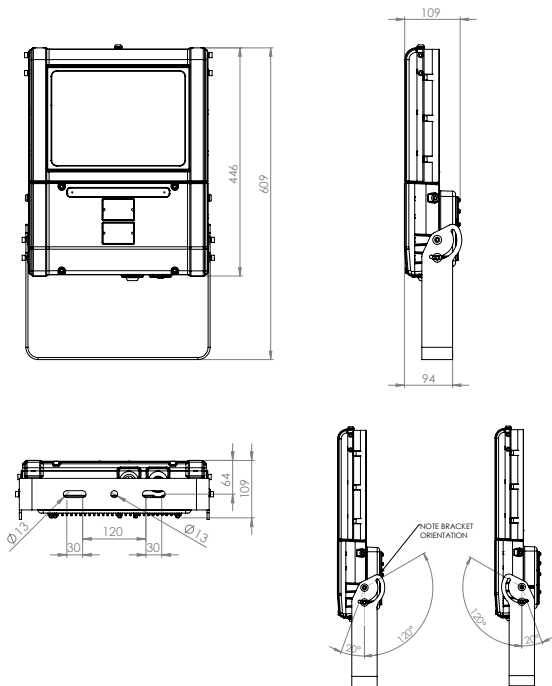


2. Installation

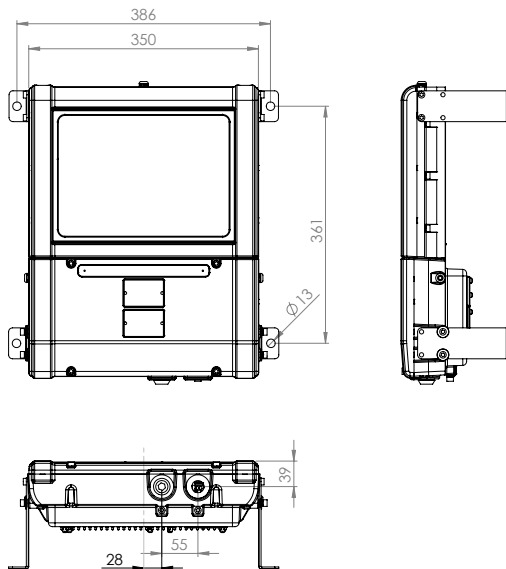
Mounting SPARTAN Unit

1. To meet the requirements of certification a **MINIMUM** of 2 fixing points must be used, the fixing points must be suitable for the conditions of use.
2. The line diagrams below are for guidance only – units may be mounted in any orientation

Mounting MP SPARTAN Unit – Floodlight Application

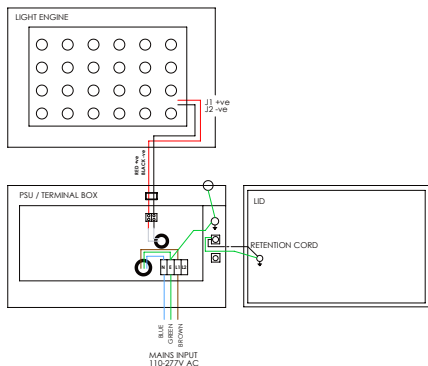


Mounting SPARTAN Unit – Highbay Application



Typical wiring diagram

WIRING Z1 & Z2



Wire the Mains cable into the terminal block. Provision has been made for this and identified as the E (Earth), L1 (Switched Live), L2 (permanent live) and N (Neutral) terminals. There are two pairs of contacts for each of these to facilitate a mains cable that can be looped in and out of the unit. The L2 terminals on a standard unit are not electrically connected but allows them to be used on the same circuits as *emergency units*.

3. Attach mounting brackets as required with M6 screws/washers provided. Tighten to 10Nm. (see Bracket Orientation Diagram)
4. Open terminal block enclosure.
5. Installer should earth the unit separately – an internal and external earth point are provided as standard.
6. Connect wires to mains supply.
7. If the unit is to be opened for any reason, disconnect mains.
8. All SPARTAN floodlights/highbay have terminal blocks suitable for looping 4mm² cable, only one cable should be connected to each terminal block connection – when incoming cables are installed a creepage and clearance of 5mm and 4mm respectively.
9. Ensure no cables are trapped and gasket is seated correctly and replace terminal cover, tighten to 4Nm
10. If carrying out Insulation Resistance tests the normal method of insulation testing is to connect Live and Neutral together and test between this point and Earth to prevent the risk of damage to the electronic control gear.

3. Maintenance

1. It is essential that all SPARTAN units are maintained in accordance with the requirements of the EN60079-17 standard: (Electrical apparatus for explosive gas atmospheres – other than mines).
2. **IMPORTANT.** No modifications are permitted to the unit, all spare parts must be purchased from the manufacturer, unauthorized modifications or spare parts will invalidate certification and make the equipment dangerous.
3. Isolate the SPARTAN unit from the mains supply and allow to cool before carrying out any maintenance work.
4. The unit has one power supply; in the event that a power supply needs to be replaced remove the terminal enclosure cover to get access to the power supply. Remove the power supply from the mains terminals then remove LED wires (white and white with red mark).
5. Disposal of packaging, SPARTAN units and old LED assemblies/power supplies should be carried out in accordance with national regulations.

4. Troubleshooting

1. Ensure the two LED boards are correctly wired to terminal block. White/Red to White/Red : White to White – paired cables.
2. Ensure Mains input is correctly connected.
3. Ensure Mains Input is turned on at the source.

PROTECTION/CERTIFICATION

PROTECTION/CERTIFICATION – ZONE 1/21 VARIANTS

CML21ATEX3317 or IEC Ex CML21.0037 or CML21UKEX3319
II 2 GD Ex eb mb IIC T4 Gb
Ex tb IIC T90°C Db
Ta -40°C to +60°C
IP66/IP67 110-277V AC

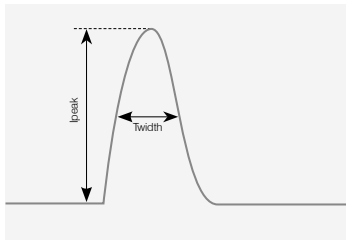
PROTECTION/CERTIFICATION – ZONE 2/22 VARIANTS

CML21ATEX3320 or IEC Ex CML21.0038 or CML21UKEX3321
II 3 GD Ex ec mc IIC T4 Gc
Ex tc IIC T90°C Dc
Ta -40°C to +60°C
IP66/IP67 110-277V AC

4. Technical Specification

| | 60W version | 120W version |
|-----------------------------------------------|--------------------------------------|--------------|
| Input Voltage | 110-277V AC | |
| Input Current (230Vac, full load) | 0.26A | 0.52A |
| Consumption | 60W | 120W |
| Power Factor (230Vac, full load) | >0.97 | |
| Mains Frequency | 50/60Hz | |
| Inrush Current (I_{peak} @50%) | 53A, $\Delta t < 300\mu s$ | |
| Total Harmonic Distortion (230Vac, full load) | $\leq 10\%$ | |
| IP Rating | IP66/67 | |
| Weight (std) | 13.2Kg | 13.2Kg |
| Dimensions | See previous pages for line diagrams | |
| ATEX and IECEx and UKEX Rating | See page 6 | |

Inrush Current Typical Curve



| MCB Type | Rating | SPZ/SPX-MP15K (120W Version) |
|----------|--------|------------------------------|
| B | 10A | 4 |
| B | 16A | 10 |
| B | 20A | 12 |
| B | 25A | 15 |
| C | 10A | 8 |
| C | 16A | 16 |
| C | 20A | 20 |
| C | 25A | 26 |

**Declaration Of Conformity
With The Atex Directive 2014/34/EU
& UK Directive SI 2016 No. 1107 (as amended)**



Raytec Ltd. declares under our sole responsibility that the product(s) listed below conform with the relevant provisions of directive 2014/34/EU of 20th April 2016 and UK Directive SI 2016 No. 1107 (as amended)

| | |
|--------------------------|--------------------------------------------------------------------------------------------------------------------------------------------------------------------------------------------------------------------------------------------------|
| Manufacturer | Raytec Ltd Unit 15, Wansbeck Business Park Rotary Parkway Ashington Northumberland NE63 8QW United Kingdom |
| Description of Equipment | Spartan range of Mid Power Floodlights |
| Certification Body | CML New Port Road Ellesmere Port CH65 4LZ |
| Certificate numbers | CML21ATEX3317 or IEC Ex CML21.0037 or CML21UKEX3319 CML21ATEX3320 or IEC Ex CML21.0038 or CML21UKEX3321 ATEX Quality Assurance Notification CSA BV (2813) UKCA Quality Assurance Notification CSA UK (0518) |
| Equipment Marking | II 2 GD Ex eb mb IIC T4 Gb Ta -40°C to +60°C Ex tb IIIC T90°C Db Ta -40°C to +60°C IP66/IP67 110-277V AC II 3 GD Ex ec mc IIC T4 Gc Ta -40°C to +60°C Ex tc IIIC T90°C Dc Ta -40°C to +60°C IP66/IP67 110-277V AC |

Compliance with the Essential Health and Safety Requirements has been assessed by reference to the following harmonised/designated standards -

EN 60079-0 : 2018

EN60079-7 : 2015 + A1 2018

EN 60079-18 : 2015 + A1 2017

EN60079-31 : 2014

And also 2014/35/EU - Low Voltage Directive, 2014/30/EU - EMC Directive

Signed



Name

Barry Thompson

Position

Director

Dated

Serial number



Raytec Global (excluding Americas)

Tel: +44 (0) 1670 520055
sales@rayteclcd.com

Raytec Ltd.
Unit 15 Wansbeck Business Park, Rotary Parkway
Ashington, Northumberland, NE63 8QW, United Kingdom

rayteclcd.com

Raytec Americas

Tel: +1 613 270 9990
sales@rayteclcd.com

Raytec Systems Inc.
800-300 Terry Fox Drive, Ottawa, Ontario
2K 0E3, Canada